



Right On Track

Postal Address PO Box 707 Morphett Vale 5162
Clubroom Phone no. (08) 8322 7047 if it is busy (we are on the net) then try 0415 821 517

Visit us on the internet at noarail.com

Inside this issue

Diary Notes	2
Track Detection	3
Other News	4 - 6

Send items for inclusion in this newsletter to the Editor via e-mail at miktrain@hotmail.com or phone on 8381 3821

This newsletter is available as a download from our website (address above) saving the club postage and printing, most pictures are in colour. Notification is sent by email when it is available for download.

This loading facility, still under construction, is a recent addition to the permanent layout.



Management Committee

President	Ron Weeden
Vice President	Frank Crossley
Secretary	Graham Bartlett
Treasurer	Judith Morley
Membership Manager	John Cutler
Events Coordinator & Security Officer	Tony Mikolaj
Almoner & First Aid Committee	Norm Andrew David Morley

**Next Committee meeting
7:30pm Monday 1st October 2007**

Display at Blackwood

Unfortunately this has fallen through as the venue is not available but there are still plans to hold it at another location.

More details as and when they are known, watch the noticeboard.

Strathalbyn Exhibition

27th – 28th October

9:30 am – 5:00 pm Saturday

9:30 am – 4:00 pm Sunday

Strathalbyn Show Grounds Hall

This is in the same hall as last time; there will be a good selection of layouts including Paradigm, some live steam and a trader. Saturday lunch is still to be arranged and Andrew is trying to organise the CFS to do a sausage sizzle for the Sunday.

More details as available.

Card Table Swap

Friday 2nd November

7:30 pm – 9:00 pm

NMRI Clubrooms

Numbers will be limited by available space. \$10 per table or take advantage of the early bird discount, \$5 if paid in advance.

Strictly one person entry per table.

AGM

Saturday 3rd November

2:30 pm Saturday

NMRI Clubrooms

These positions will be declared vacant

- President
- Treasurer
- Two Committee members

This is your chance to have a say in the running of your club. Nomination forms are available at the clubrooms; please return them to the Secretary before the start of the AGM.

If you have anything that you would like discussed please put it in writing and give it to any Committee member as soon as possible.

Reynella Fair

Sunday 25th November

All day

Reynella Oval

Another full day of sausage sizzling

The organisers have changed the name to:

Lions Reynella Village Christmas Fair

Due to the lack of a sponsor guarantee the Reynella Gift will not be held so the fair will move back onto the oval.

Note that the date has been changed so adjust your calendar.

Xmas

What would you like to do? Time is ticking away and there have not been any suggestions to the Committee. Please think about what you would like to do.

Card Table Swap

Friday 16th February 2008

7:30 pm – 9:00 pm

NMRI Clubrooms

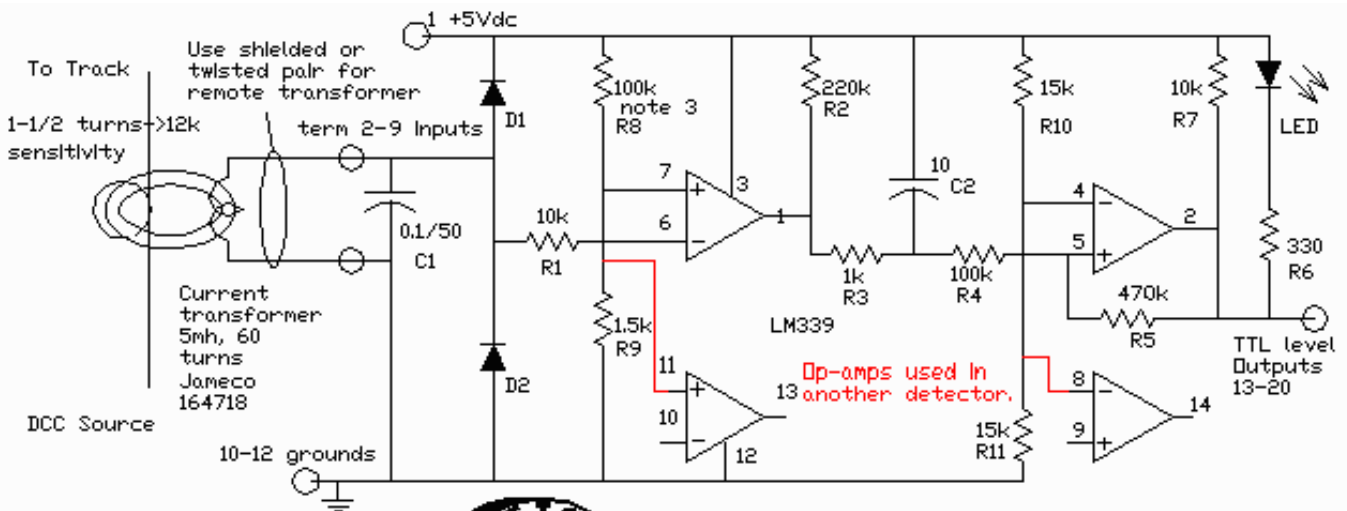
Numbers will be limited by available space. \$10 per table or take advantage of the early bird discount, \$5 if paid in advance.

Strictly one person entry per table.

Where is that train?

As most of you will know we have been busy installing track detection on Paradigm recently to help operators to know where the trains are, and in preparation for the signalling that is to follow. Currently each control panel has LEDs that illuminate to show track occupancy for the local sections. When the signal driver circuits are added later the LEDs will change colour to show occupied (red) caution (yellow) and clear (green) there will also be a further indication, probably flashing, to indicate an approaching train in the block before.

The detector circuit uses a transformer to detect the current draw on the track. As there is no direct connection with the track power it will not cause any voltage drop. The sensitivity is quite high so it will detect just a few milliamps on DC and the proverbial wet finger across the track (about 10 – 15K) on DCC. I have an idea about how to modify our DC controllers to allow it to detect the wet finger on them too; some experimentation will have to be done to see if this works.

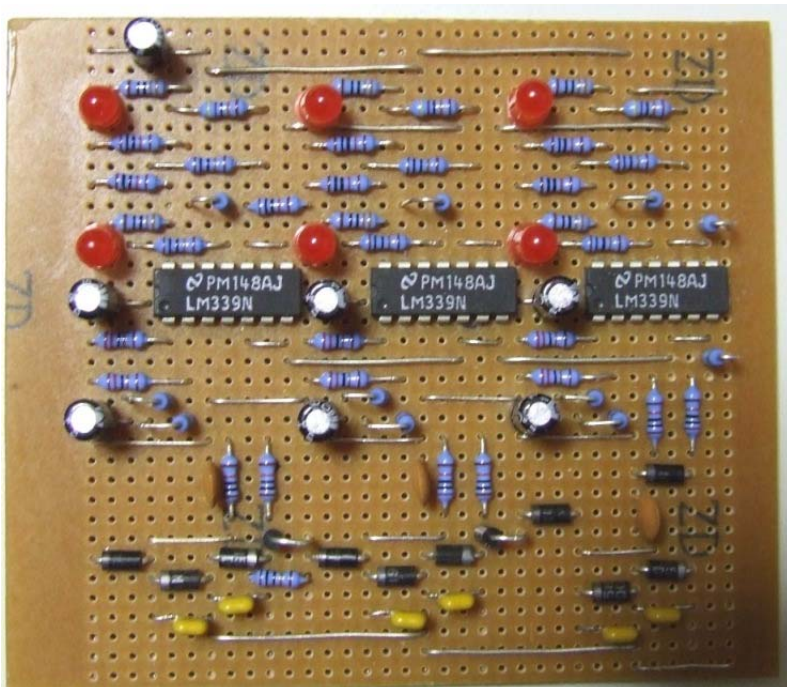


file DtctrIdea02
rev 06/22/04a



Transformer Coupled
Resonant Detector for DCC
06/07/04 Teton Short Line

Above: The schematic for the detector, I got this circuit from the website of the Teton Short Line by Wayne Roderick <http://www.tslrr.com/detector.htm>



Left: The finished circuit board, this cost under \$24 for the parts including the transformers and the board, it will cover six sections making it only \$4 per detector.

The input from the transformers is fed in at the bottom, the signal is processed by the LM339 Op amps and the output is at the top. On Paradigm this will be wired so that the top three LEDs show three sections of the top track and the bottom three will show the bottom track.

The circuit has a half second turn on delay to prevent false detects and a 5 second turn off delay to prevent dropouts.

The same circuit will also be used later on the permanent layout

AGM

To be held Saturday 3rd November 2:30 pm at the Clubrooms. The following positions will be declared vacant

- President
- Treasurer
- Two Committee members

Nomination forms are available at the clubrooms, please fill out and return them to the Secretary before the start of the meeting.

If you have an issue that you would like discussed then submit it to the Committee well in advance so that it can be structured into the agenda.

Only 2008 paid up members may vote, included with this issue (print only) are membership renewal notices. Email recipients will have theirs handed or posted separately.

Where is that?

The permanent layout and some of the stations and scenic areas on it need names, some stations and one or two areas ie. Rome, Sedup, Fhrus Station, Midvale are quite well set in folklore but others have only a working title just so that they can be identified. What is needed is your input so that these areas can be officially recognised that way place names can be put on the area and everybody will know what they are called. It is a bit easier than directing someone to the "corner on the end" and it will also help the local inhabitants to receive and send their mail. Names can be serious, or tongue in cheek, whatever takes your fancy, if it is deemed suitable then it will be used. Put on your thinking cap and get some recognition.

Club Shop

This is now operational with a small range of stock including, but not limited to, Kadee couplers, screws, drills, and other various spare parts, other items will be added in the near future. See John Carli for a complete list and pricing

Other Events

Mildura Exhibition

22nd - 23rd September

9:00 am – 5:00 pm Saturday

10:00 am – 5:00 pm Sunday

Irymple Leisure Centre 5 kms from Mildura

Model Railway Show

6th – 7th October

9:30 am – 5:00 pm Saturday

9:30 am – 4:00 pm Sunday

NASHO HQ

41 Surrey Road Keswick

Kids \$2 Adults \$5 Families \$12

British Railway Modelling Convention

11th – 14th October

St Francis Winery Resort, Reynella

Swapmeet

25th November

10:00 am – 1:00 pm

Windsor Gardens Vocational College

Cnr McKay & Danby Ave Windsor Gardens

2008

Sandown Exhibition

8th – 10th March 2008

Sandown Racecourse

Stawell Exhibition

July 2008

9:00 am – 6:00 pm Saturday

9:00 am – 4:00 pm Sunday

SES Hall – Sloane St Stawell Vic

Our Exhibition 2008

11th – 12th October 2008

9:30 am – 5:00 pm Saturday

9:30 am – 4:00 pm Sunday

Mitsubishi Entertainment Centre

I know it is a little early but why not promote it anyway?

Strathalbyn Model Railway Show 2007

Strathalbyn Show Grounds Hall
27th – 28th October



Saturday
27th October
9:30am – 5:00pm

Sunday
28th October
9:30am – 4:00pm

Proudly Presented by

Noarlunga Model Railroaders

With the support of

End Of The Line Hobbies

Your One Stop Hobby Shop

End Of The Line Hobbies is offering club members a 5% discount off all purchases. To be eligible you must be a current financial member and mention your club membership at the time of purchase. The club will receive the same amount as a voucher for use as we see fit. So you can help yourself and the club at the same time.

Delivery can be arranged anywhere in the world and orders may be placed in person at the shop, via e-mail, snail mail, phone or fax. There is a stock hold option and payments can be made by Visa Card, Master Card, EFTPOS and good old fashioned cash!

Wednesday – Sunday 10:00 am – 4:30 pm

End Of The Line Hobbies 74 Ocean Street Victor Harbor SA 5211 (near the turntable)

Ph 8552 7900

Find us at

www.endofthelinehobbies.com.au

Fax 8552 7933

Email

shop@endofthelinehobbies.com.au

Interstate Exhibitions

It is the intention of the Committee to apply to attend both the Sandown exhibition 8th – 10th March 2008 and the Stawell exhibition July 2008

The Sandown exhibition is a long weekend for Victoria so it is a three day event and this will need to be taken into account for accommodation as I have heard that sleeping in the venue is not on.

Stawell is always a great exhibition even if it does sometimes get a little cold.

This early notification is to allow all to get finances and plans in order for these exhibitions. There will be a list on the noticeboard for expressions of interest so that we can gauge the viability of doing these trips.

Oops

How many readers noticed that the dates on the poster for the Strathalbyn railway show were actually one day out and we would have been displaying on the Sunday and Monday? They have of course now been corrected. Only the printed copies and those downloaded from our site in the first couple of days were affected.

Late Night Run

Saturday 25th August was another of our late night runs. Sustenance was via the local takeaway shops, quite a variety was selected by those in attendance. Trains from all over the world transported freight and passengers all around the layout.

Following on from the usual Saturday activities, attendance peaked at around 30 members so this proved to be another very popular event. The night ended when the last key holder went home in the wee hours of Sunday.

Opening Times

The clubrooms are open on Tuesday nights from 7:30 pm to 9:00 pm Saturdays from 2:00 pm to 6:00 pm A key holder may offer to stay back late on a Saturday night and an evening meal may be decided on, but members are requested to clean up after.

Magazines

All current issues of magazines and newsletters are to remain at the clubrooms until the next issue arrives. This is so that all members have access to them while they are current.

Club Shirts

The club has stocked up on shirts so if you do not have one now is the time to correct the omission. There has been a small price increase, they are now \$24

Fridge woes

As some of you may know the old fridge finally gave up the ghost and tripped the earth leakage device so we have acquired another slightly larger and almost new one.

New contact method

If you are trying to ring the clubrooms and it is busy, it probably means we are on the net so try our new Vodafone mobile number 0415 820 517.

Big Oops

I hear that the test tram had a little trouble negotiating a curve on the new track extension, apparently the builders did not get the clearance right and the edging took some paint off the tram. We may have to lend them our gauge wagon!

British Railway Modelling Convention

The convention is being held over four days consisting of a wine and steam tour on the Thursday and a special session at 2pm on Friday 12th with keynote speaker Tim Shackleton, editor of Model Railway Journal.

There will be a series of presentations on the Saturday and layout tours on the Sunday. There is a flier on the noticeboard.

More details www.bmra.asn.au

Contact:

Andrew Emmett Ph 8322 2984

aem02457@bigpond.net.au

Ron Solly Ph 8522 2536

sol@aandr.com.au